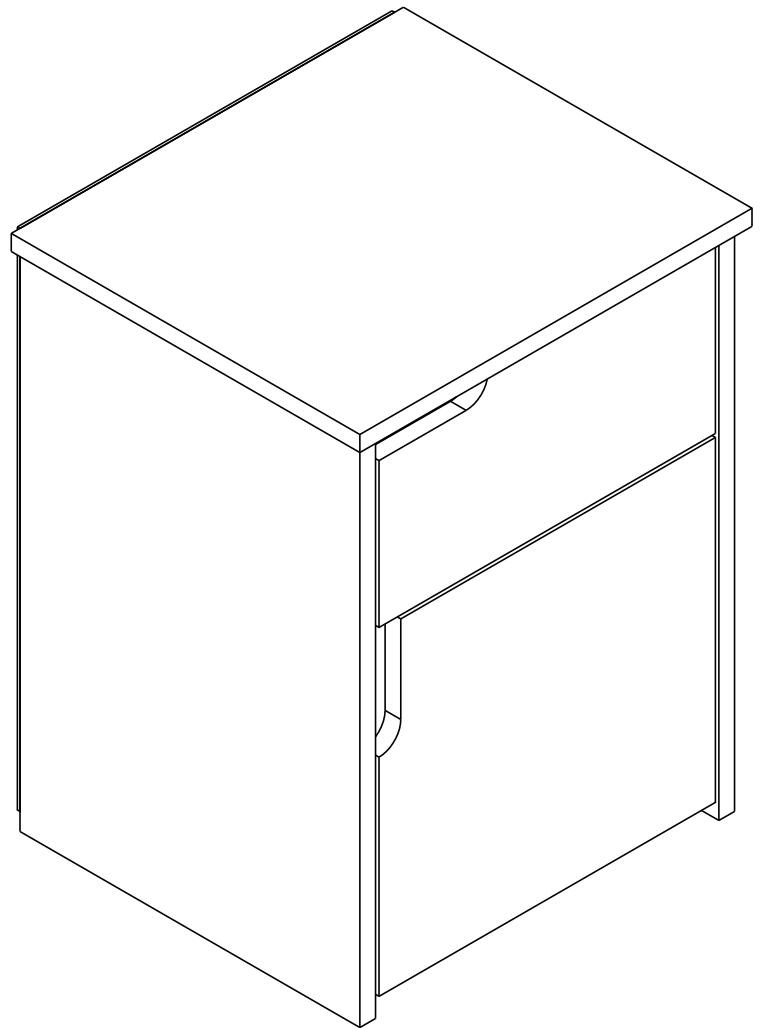


DECOROTIKA



Asra Nightstand

assembly guide



Valued Customer,

We design and carefully manufacture our products for our customers, We wish that our customers to have fun while they are doing their new furniture

The product you just purchased was subjected to all sorts of tests and controls before sending out to you.

Hope you enjoy your new furniture!!!

Before starting, please check all components and accessories according to the provided list. If you purchased more than one product, to prevent confusion, be sure that you completed the first product, then start the next one. Please make sure that you select correct numbered part and use specific connector to assemble. We do not recommend any modification or rotation in assembly. Please follow the manual carefully.

Furniture parts are going to several manufacturing procedures. During this process, parts can have little dust or marks. Please clean the parts with damp cloth before assembly to get the best result. Usual cleaning would be suffice.



Although all products are carefully manufactured and packed, sometimes we experience damage during transportation. In such cases, please check the damaged part, note the part number written on the part and do not hesitate to contact us

Do not use your furniture for out of purposes. If you would like to use it out of purpose or would like to do some modification or rotation, please contact us for more details.

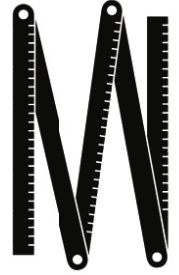
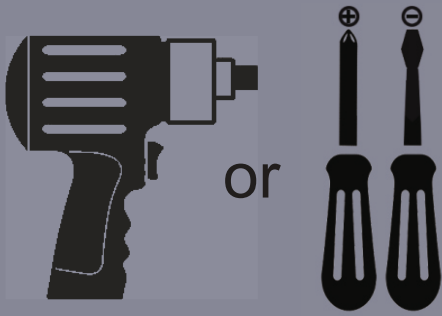
Please do not expose your furniture with excessive heat, cold and humidity because product can be affected negatively.

[e-mail : sales@decorotika.com](mailto:sales@decorotika.com)

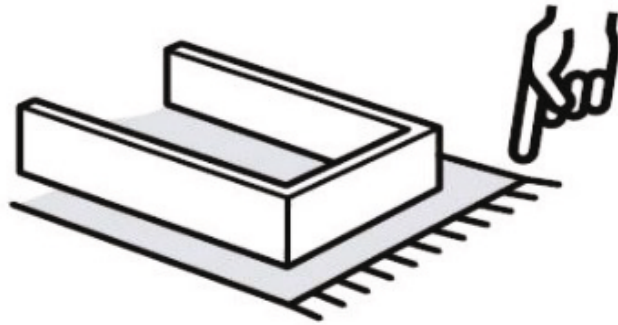
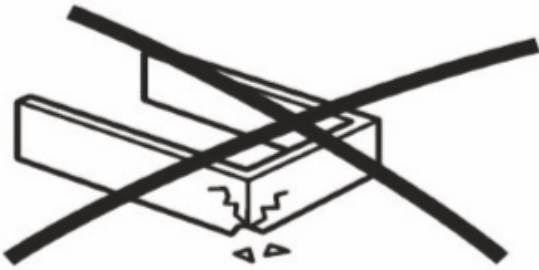
[The US Phone : +1 302 327 8923](tel:+13023278923) Working Hours: Mon- Fri (09 am - 05 pm)

[EUROPE Phone : +90 553 966 7517](tel:+905539667517) Working Hours: Mon- Fri (07 am - 05 pm)

before you start



Get required installation tools prepared.



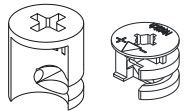
Do not install the product on rough surfaces.



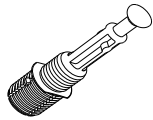
Get help from someone else!

getting familiar with the main components

*Minifix is the main connection component used in Decorotika products. Before starting, please check the below figures



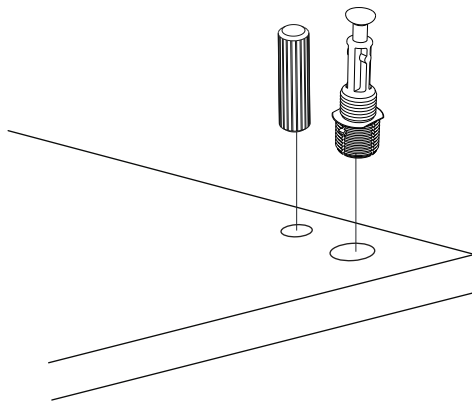
MINIFIX
HEAD



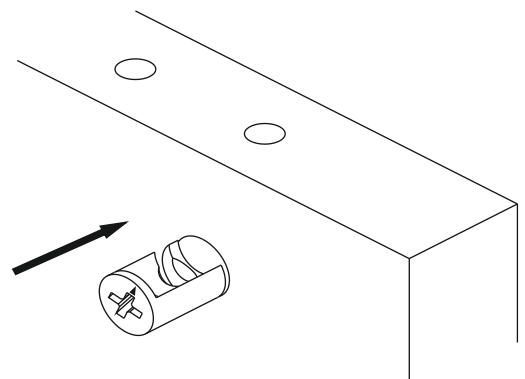
MINIFIX
SCREW



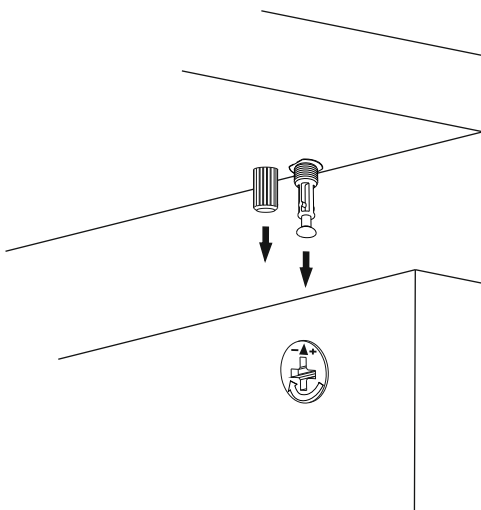
DOWEL



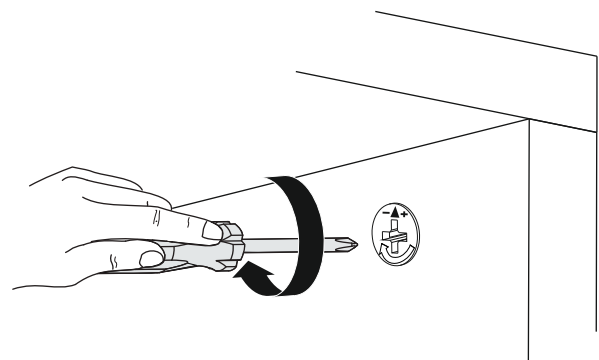
*Please notice that there is a small arrow on A02 (minifix head). This arrow should show the direction of upper hole.



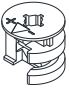
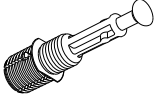
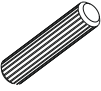
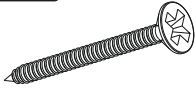




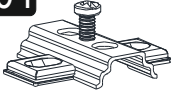
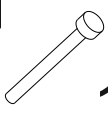
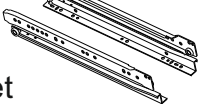
*After attaching two pieces please turn the A02 (minifix head) clockwise direction with the help of a screwdriver.



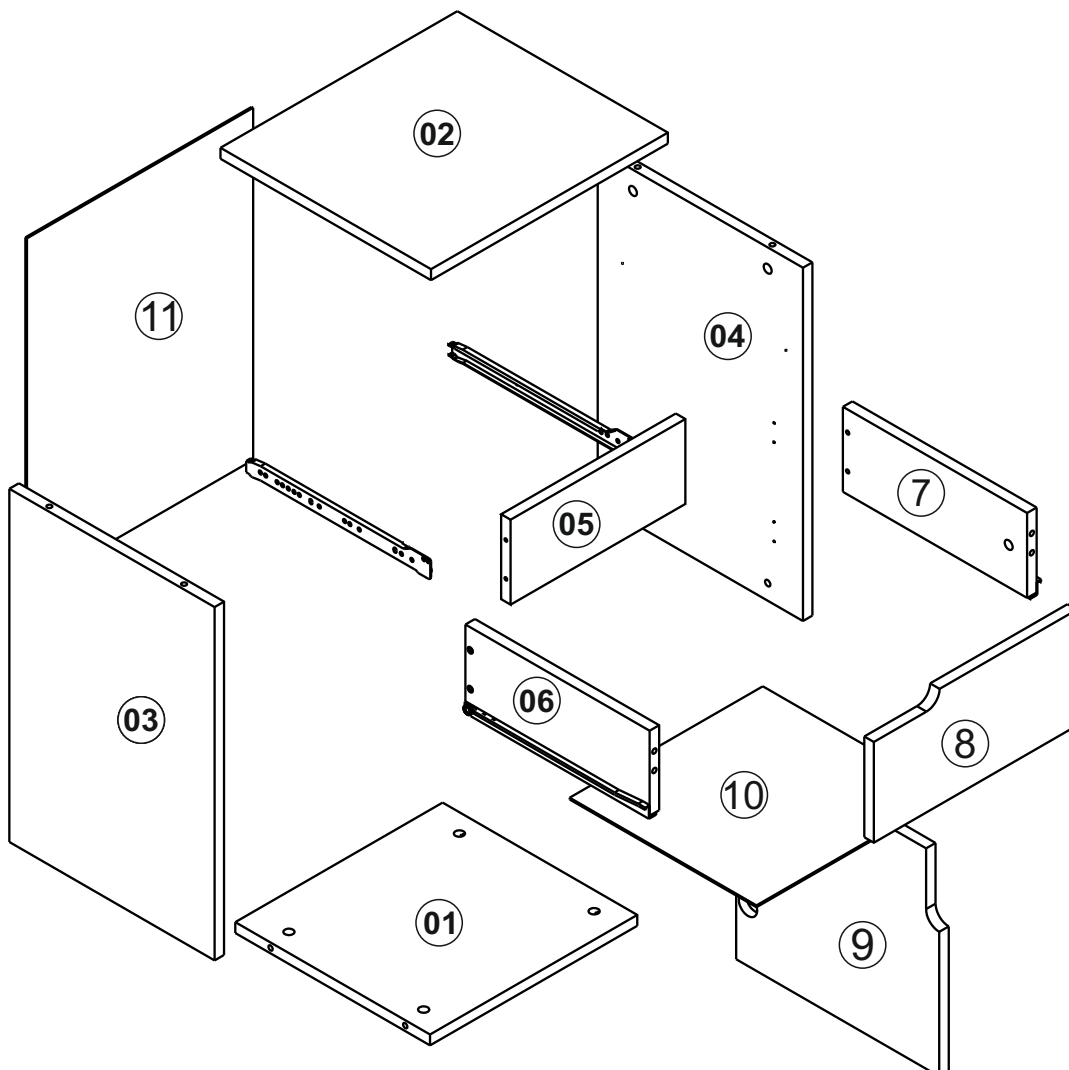
*Please do not over screw the minifix head since it may be broken if too much power is imposed. Just make sure that it is screwed to the direction “+” do not go any further.



ACCESSORY LIST

A02 minifix head  10x	A23 minifix screw  10x	A04 dowel Ø8  2x	A20 4x50 mm screw  4x	C01 bracelet d1  2x
A06 18 mm sticker  WHT 10x c1	A10 14 mm sticker  4x c1	A18 3.5x18 mm screw  16x	C04 pivot  2x	A40 nail  19x
Z30 350 mm rail  1 set				

GENERAL VIEW



step a

1

*Z30(350 mm rail) consists of 2 pieces. One for drawer and one for holding up the drawer. Please do not confuse one with another

*Please attach the Z30(350 mm rail) onto the pieces #3 and #4 as shown below

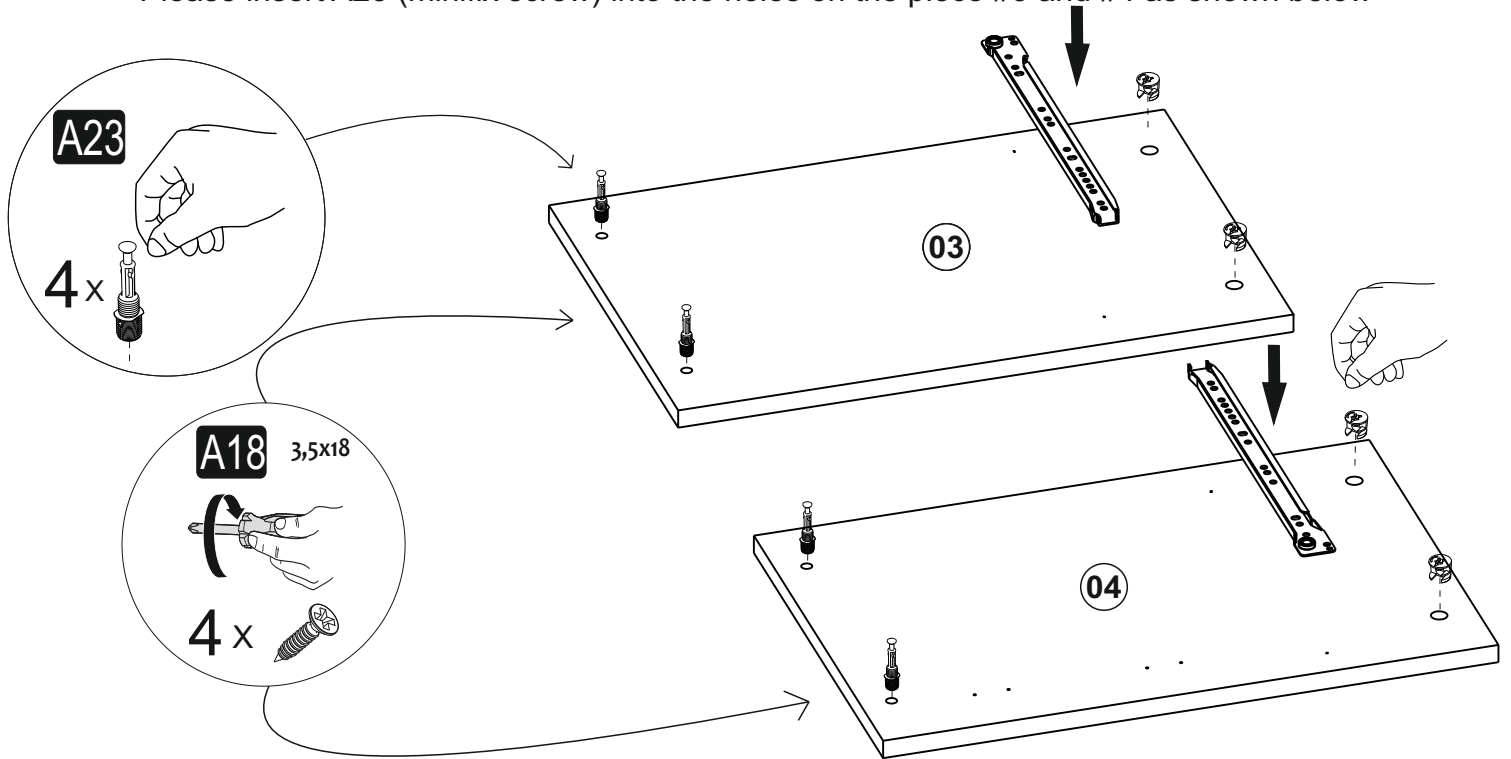
*Please make you sure that you put the Z30(350 mm rail) the way it will fit the pre-drilled holes

*Now screw the A18(3.5x18 mm screw) with the help of a screwdriver clockwise direction

*Please insert A02 (minifix head) into the holes on the pieces #2 as shown below

*Make sure that all the arrows on A02 (minifix head) are in correct direction

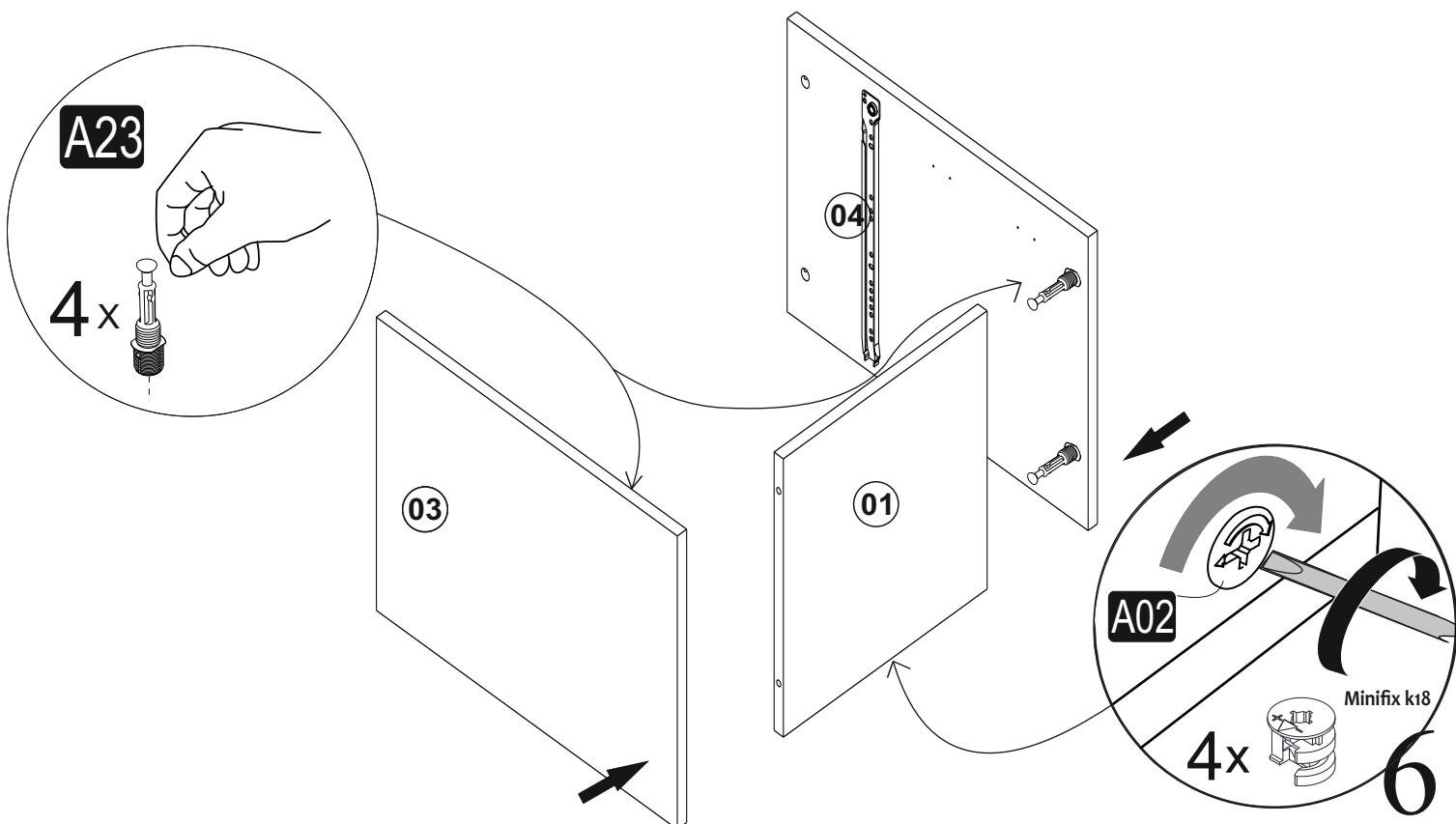
*Please insert A23 (minifix screw) into the holes on the piece #3 and #4 as shown below



2 step b

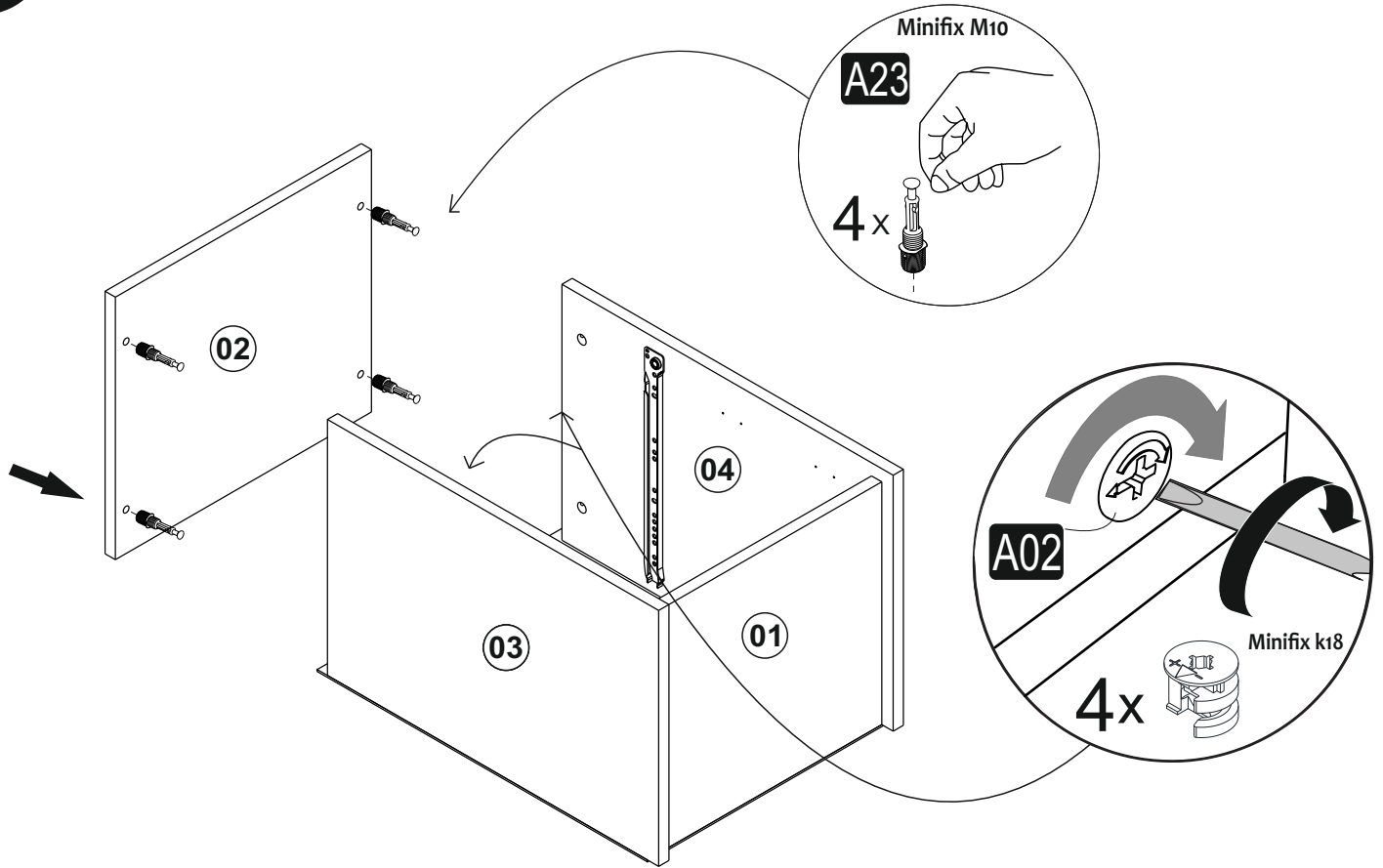
*Please attach the piece 1 between the pieces #3 and #4 as shown below

*Now screw the A02(minifix head) with the help of a screwdriver clockwise direction



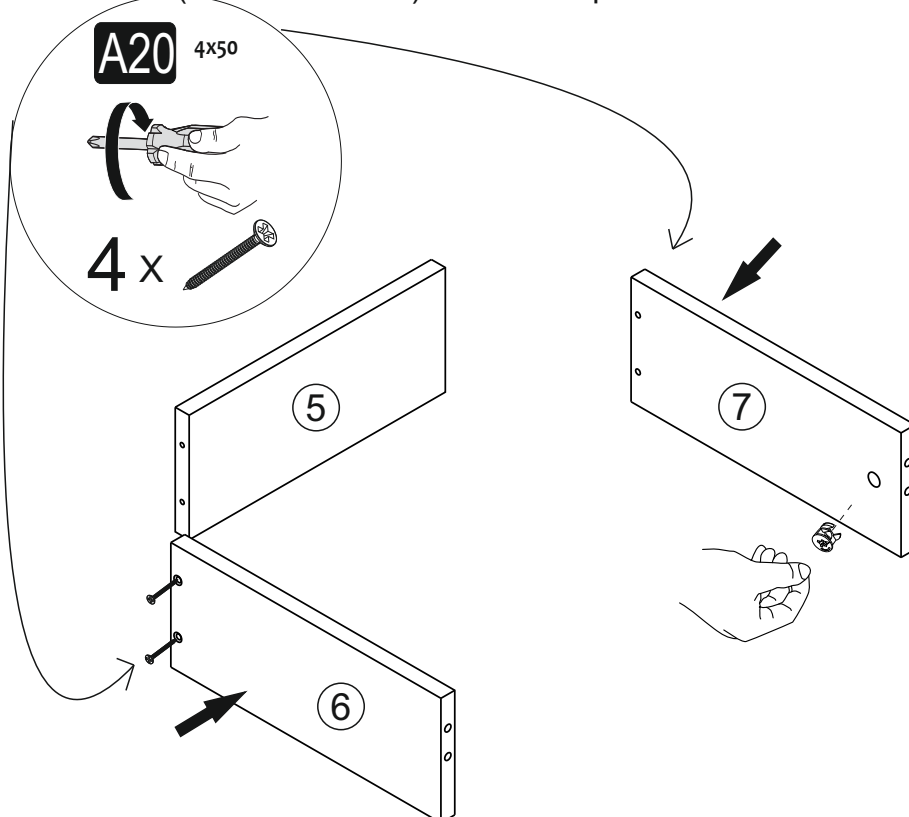
3 step c

- *Please insert A23 (minifix screw) into the holes on the pieces #2 as shown below
- *Now screw the A02(minifix head) with the help of a screwdriver clockwise direction



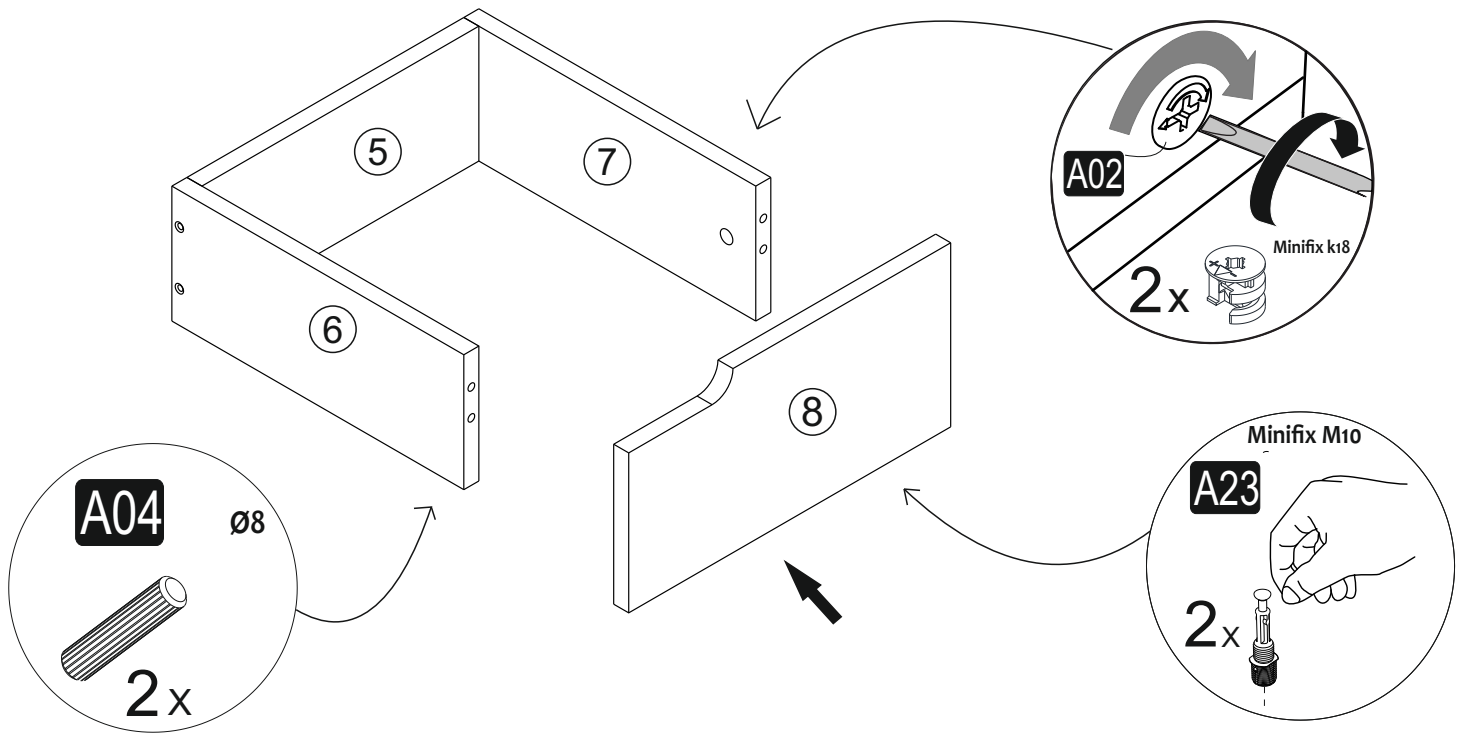
4 step d

- *Please insert A20 (minifix head) into the hole on the pieces #6 and #7 as shown below
- *Make sure that all the arrows on A20 (minifix head) are in correct direction
- *Please attach the piece #5 between the pieces #6 and #7 as shown below
- *Now screw the A20(4x50 mm screw) with the help of a screwdriver clockwise direction



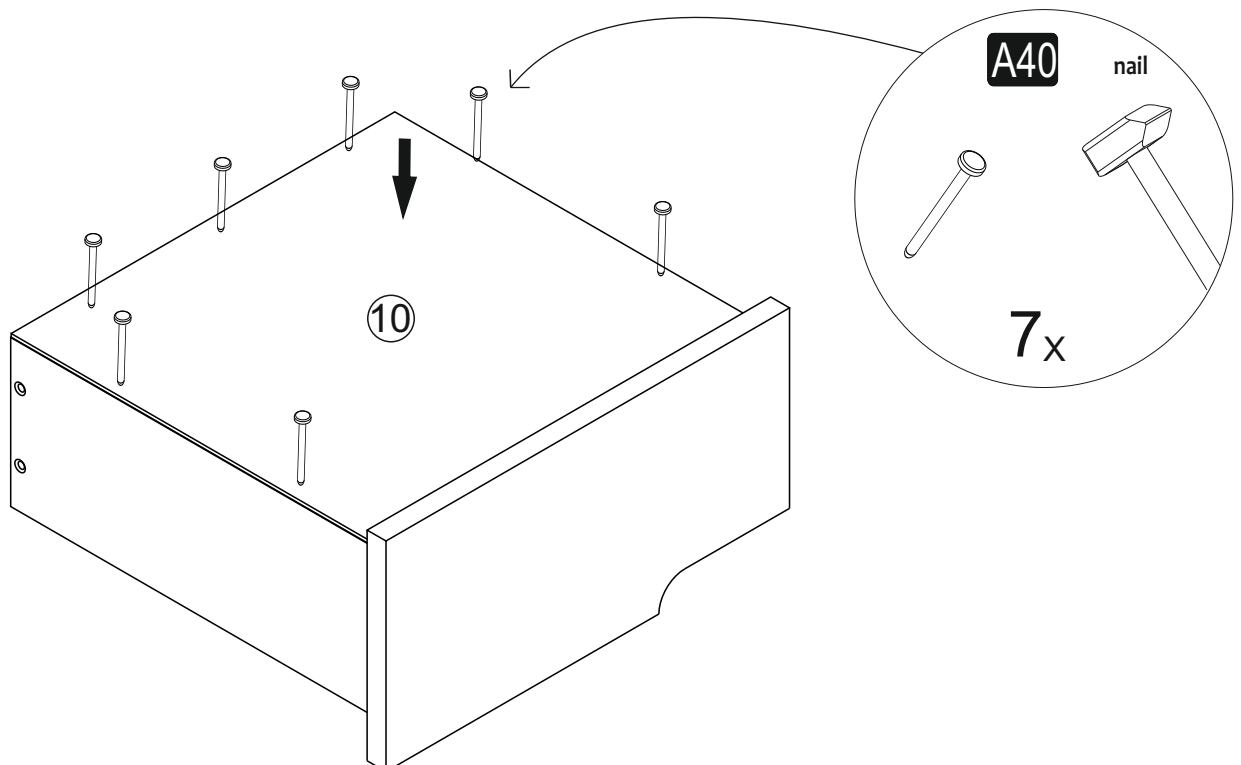
step e

- 5**
- *Please insert A23 (minifix screw) into the holes on the piece #8 as shown below
 - *Please insert A04 (dowel) into the holes on the piece #8 as shown below
 - *Please attach the piece #5 between the pieces #6 and #7 as shown below
 - *Now screw the A02 (minifix head) clockwise direction with the help of screwdriver.



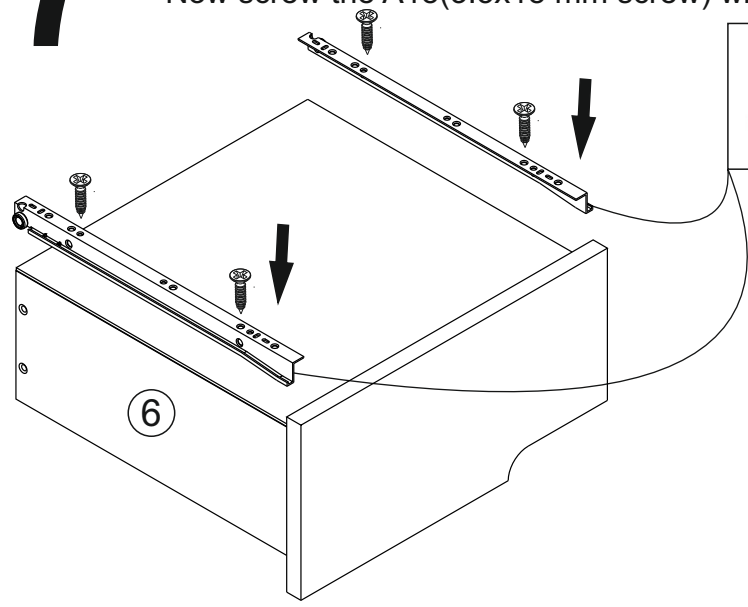
step f

- 6**
- *Please take the panel and nail down with the help of an hammer
 - *For the best result use all nails given in the hardware pack



7 step g

- *Z30(350 mm rail) consists of 2 pieces. One for drawer and one for holding up the drawer. Please do not confuse one with another
- *Please attach the Z30(350 mm rail) onto the pieces #6 and #7 as shown below
- *Now screw the A18(3.5x18 mm screw) with the help of a screwdriver clockwise direction

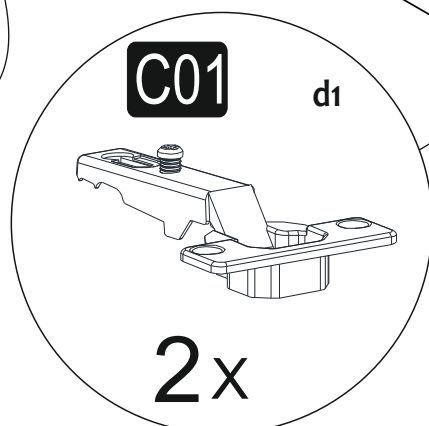
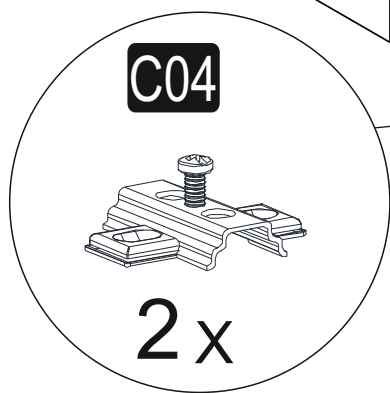
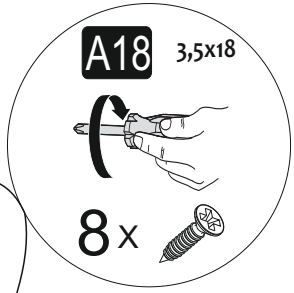
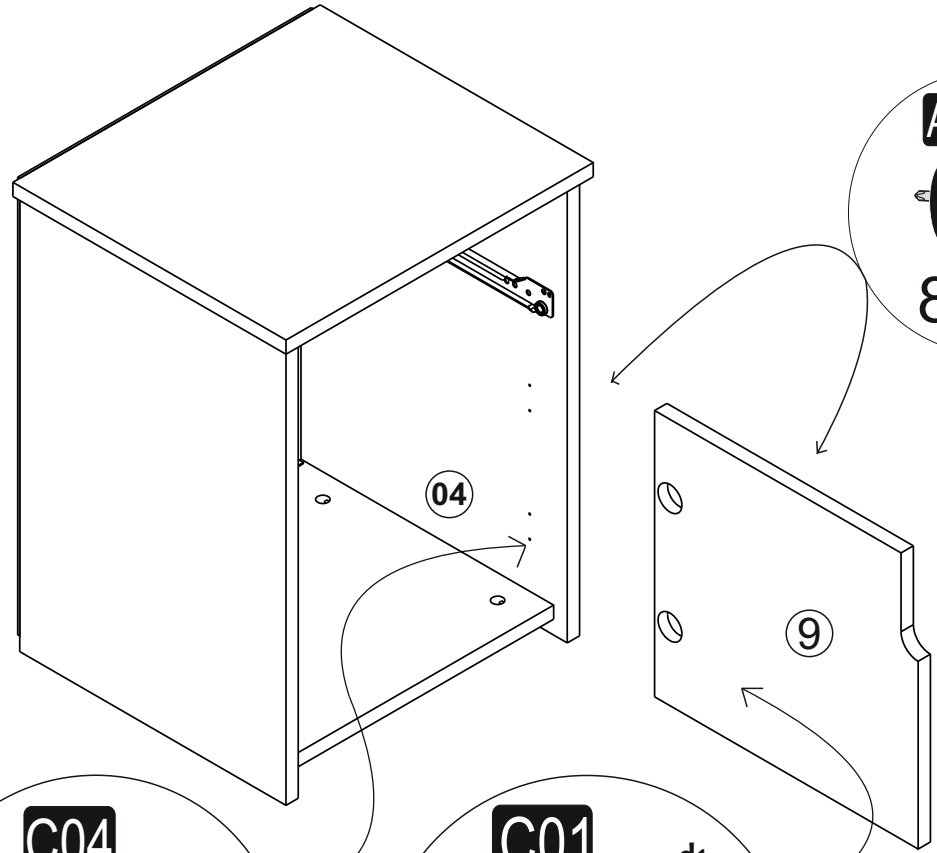


! Do not screw the A18 on this side if you do so you may not be able to slide the drawer easily



8 step h

- *Please put C01 (bracelet) into the big holes on piece #9 the way they will fit the pre-drilled holes
- *Now take A18 (3.5x18 screw) and put them on pre-drilled holes then turn them all with screwdriver
- *Please put all the C04 (pivot) the way that they will fit the pre-drilled holes on the piece #4
- *Now take A18 (3.5x18 screw) and put them on pre-drilled holes then turn them all with screwdriver

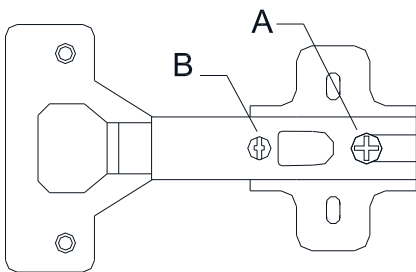
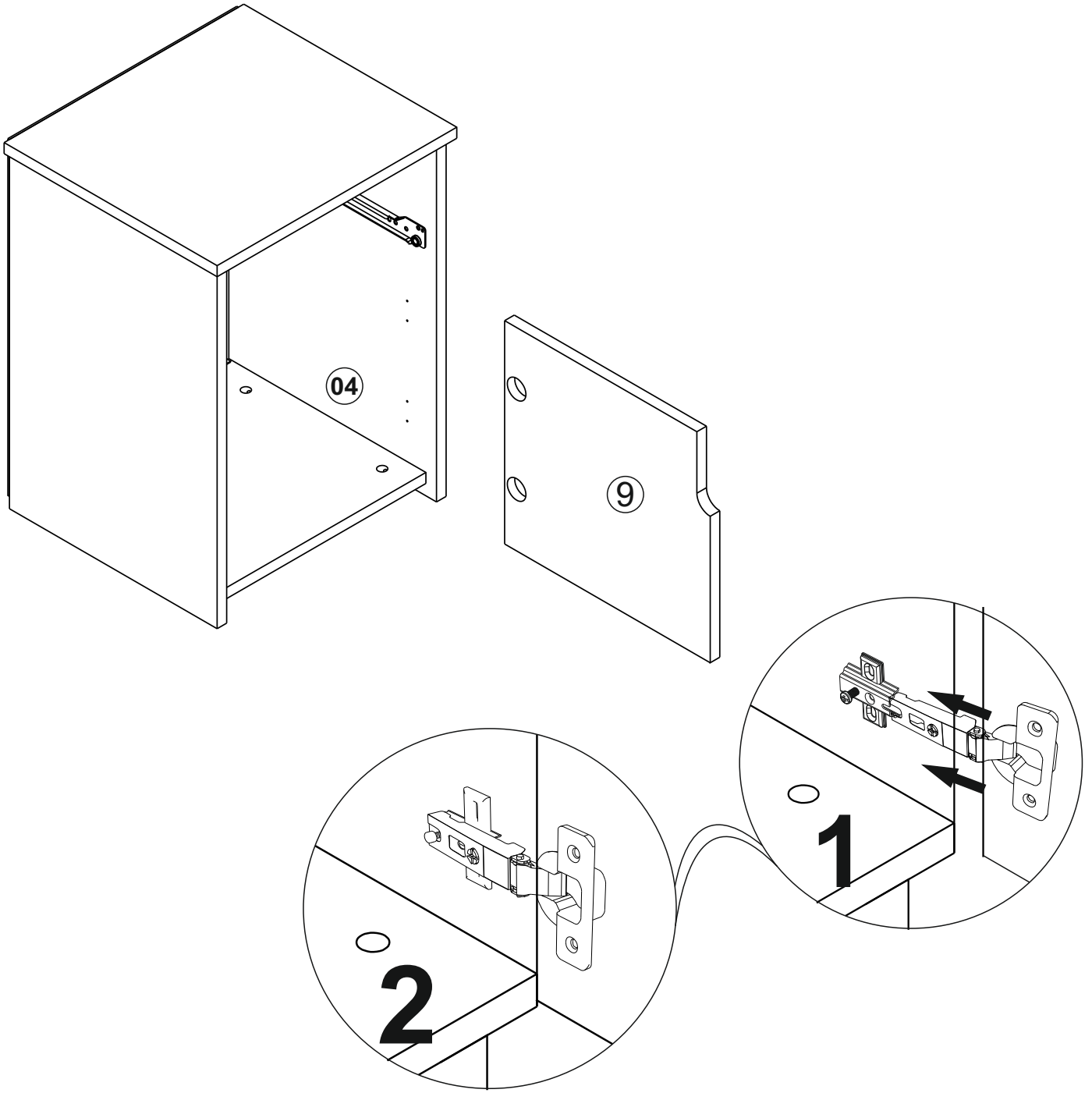


9 step i

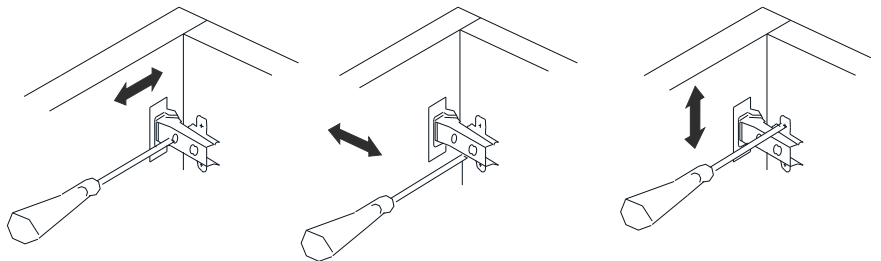
*Please connect C04(pivot) and C01 (bracelet) as shown in figure

*Turn the screw A

*You can make some adjustment with screw B for better opening and closing of door



A= to connect the hinge to the door
B = to arrange the door

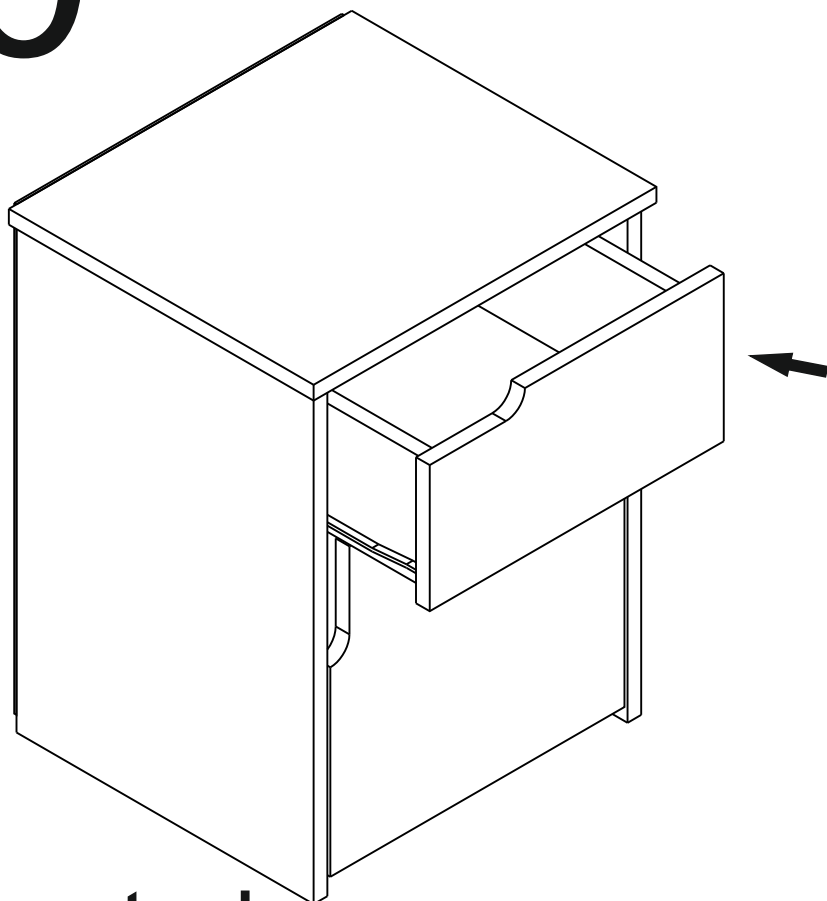


arrows to show the directions for arrangement of doors.

10

step j

*Please put the drawer inside the nightstand.

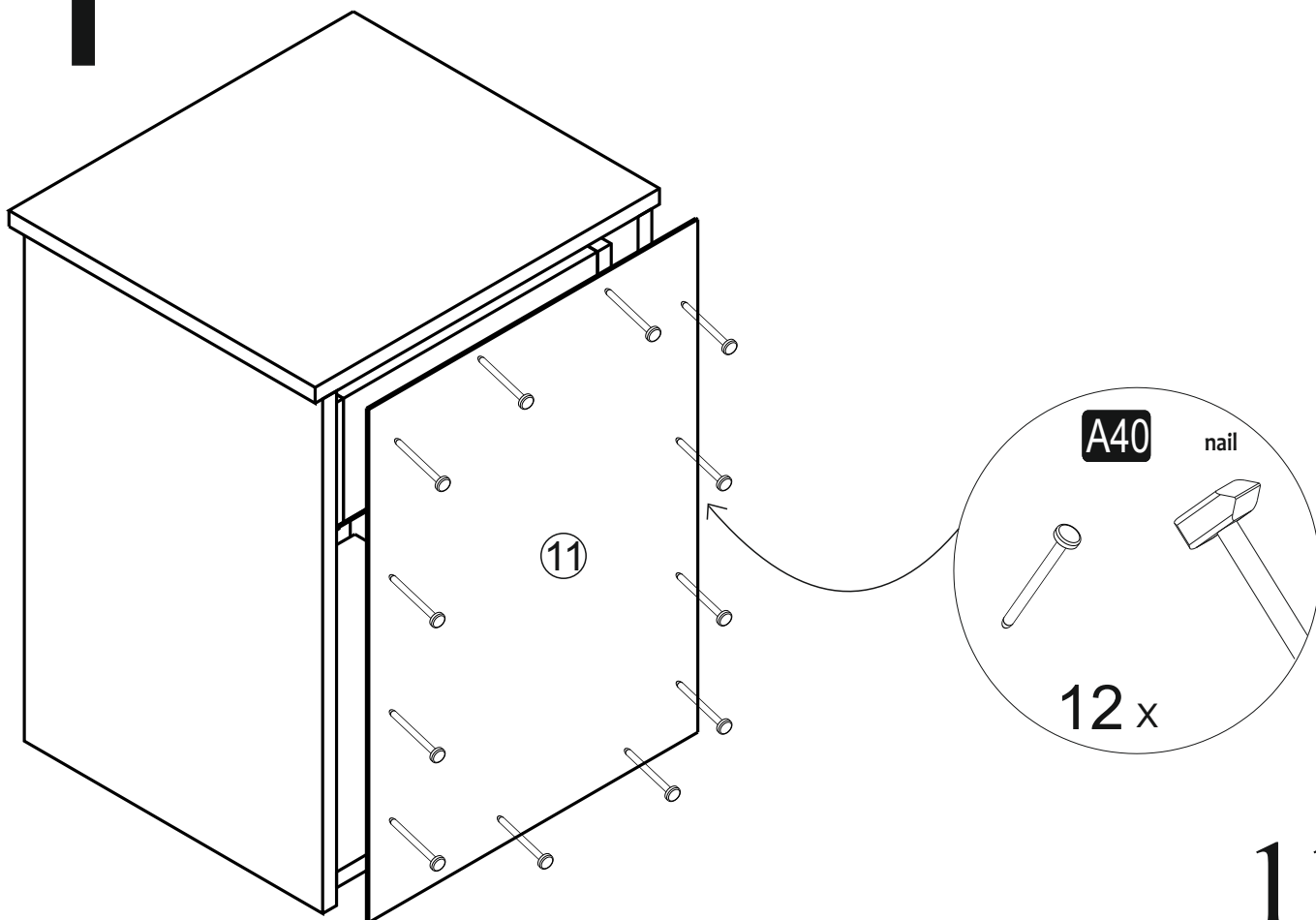


11

step k

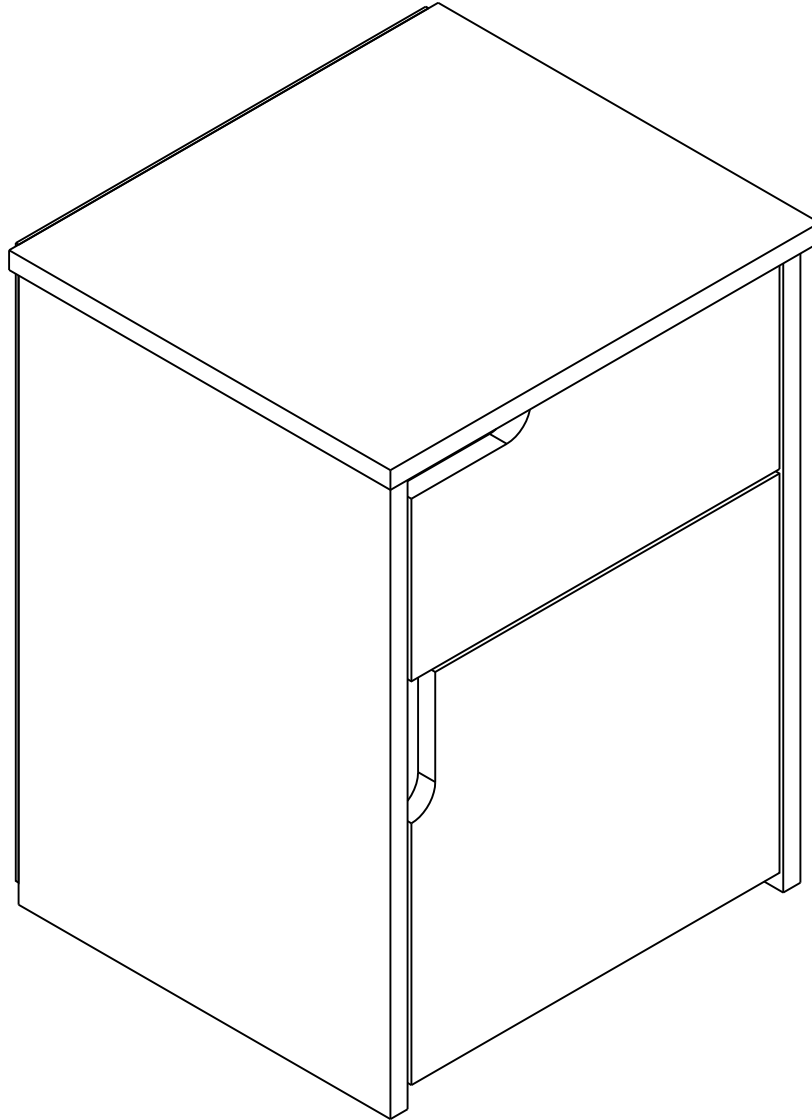
*Please take the panel and nail down with the help of an hammer

*For the best result use all nails given in the hardware pack



11

final look



Enjoy your Decorotika product!



contact@decorotika.com



www.decorotika.us
www.decorotika.com